

MOBILE RETRACTABLE PREP STATIONS

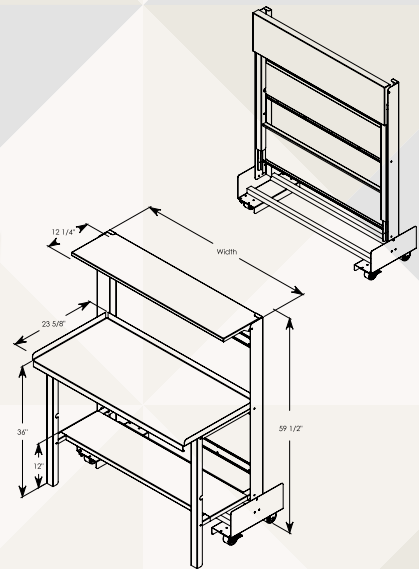
- ▶ Available in 36" and 48" wide models both with under shelf and cantilever shelf
- ▶ 16 Gauge stainless steel construction
- ▶ Space-saver – folds up to be moved and/or stored for easy clean up
- ▶ Work surface weight capacity – 500 lbs. (evenly distributed load)
- ▶ 24" Deep work surface has 1¾" backsplash on 3 sides
- ▶ Safety pins provided for added security
- ▶ Make unit mobile by adding optional caster base*
minimal assembly required; four 3" x 1¼" swivel locking casters (CDL3)



RTW246036C (open)



RTW246036C (closed)



| Mobile Retractable Prep Stations | | | |
|----------------------------------|--------------------------|--------------------------|-----------------|
| Model Number | Closed Size W x H x L | Opened Size W x H x L | Weight (lbs) |
| RTW246036C | 17" x 60" x 36" | 24" x 60" x 36" | 94 |
| RTW246048C | 17" x 60" x 48" | 24" x 60" x 48" | 112 |



Prairie View Industries Food Service

PHONE 800.554.7267 | FAX 402.729.4058 | WEB www.pvifs.com