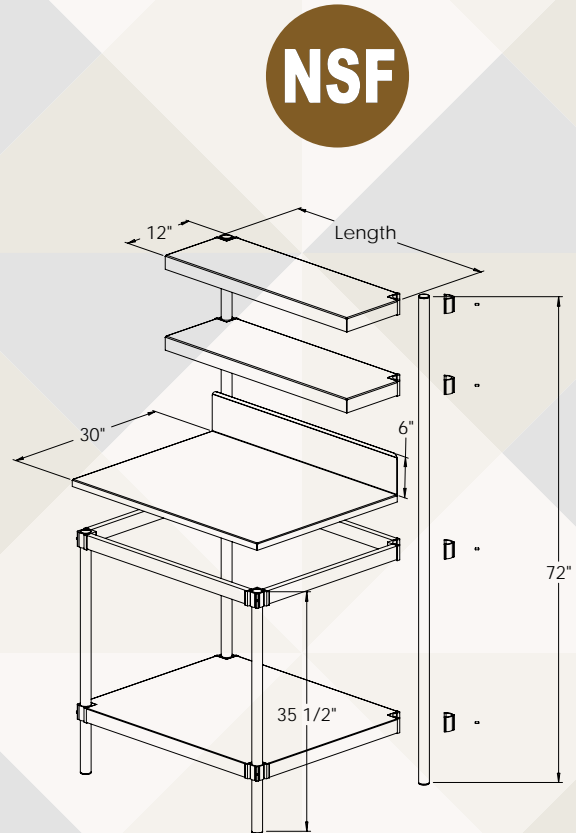


WORKSTATIONS

- ▶ 16 Gauge stainless steel work top; with 6" backsplash
- ▶ Top is removeable for easy cleaning
- ▶ Heavy-duty all aluminum frame, posts, and base shelf – WILL NOT RUST
- ▶ Solid one-piece shelves
- ▶ Adjustable cantilever and base shelves
- ▶ Easy "Lock Bushing" assembly
- ▶ Ships "Knock Down"



W307236



NSF

Workstation		
Model Number	Description	Size W x H x L
W307236	2 12" W Cantilever Shelves	30" x 72" x 36"
W307248	2 12" W Cantilever Shelves	30" x 72" x 48"
W307260	2 12" W Cantilever Shelves	30" x 72" x 60"
Additional Cantilever Shelves		
Model Number	Size W x H x L	Weight (lbs)
CANT1236	12" x 2" x 36"	4
CANT1248	12" x 2" x 48"	6
CANT1260	12" x 2" x 60"	8
CANT1836	12" x 2" x 36"	6
CANT1848	12" x 2" x 48"	8
CANT1860	12" x 2" x 60"	10