

NESTING DUNNAGE RACKS



- ▶ Space-saving design; may be loaded when nested
- ▶ Great for storage
- ▶ Heavy load capacity
- ▶ Heavy-duty 1/8" thick aluminum
- ▶ Easy clean design; compared to plastic or wire

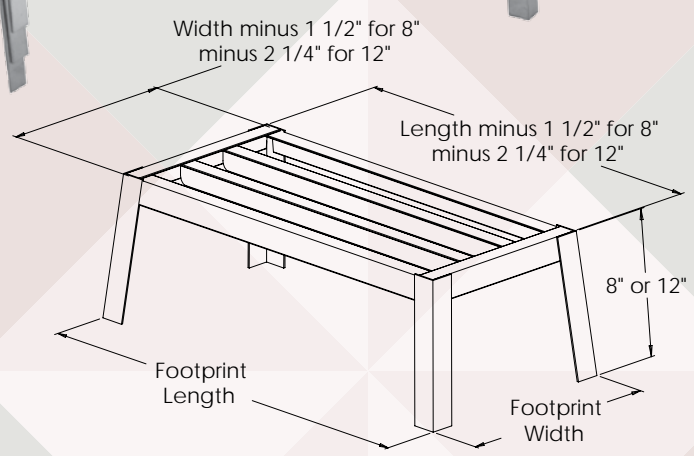
SHELVES



DR1848
(Stack of three shows nesting ability)



DR1836



8" High Nesting Dunnage Racks		
Model Number	Footprint W x L	Weight (lbs)
DR1824-8	17¼" x 23¼"	7
DR1836-8	17¼" x 35¼"	8
DR1848-8	17¼" x 47¼"	10
DR1860-8	17¼" x 59¼"	13
DR2024-8	19¼" x 23¼"	9
DR2036-8	19¼" x 35¼"	10
DR2048-8	19¼" x 47¼"	12
DR2060-8	19¼" x 59¼"	14
DR2424-8	23¼" x 23¼"	12
DR2436-8	23¼" x 35¼"	13
DR2448-8	23¼" x 47¼"	14
DR2460-8	23¼" x 59¼"	15

12" High Nesting Dunnage Racks		
Model Number	Footprint W x L	Weight (lbs)
DR1824	18" x 24"	7
DR1836	18" x 36"	8
DR1848	18" x 48"	10
DR1860	18" x 60"	13
DR2024	20" x 24"	9
DR2036	20" x 36"	10
DR2048	20" x 48"	12
DR2060	20" x 60"	14
DR2424	24" x 24"	12
DR2436	24" x 36"	13
DR2448	24" x 48"	14
DR2460	24" x 60"	15

Options: DRCAP – see page 82 for details

Options: DRCAP – see page 82 for details



Prairie View Industries Food Service

PHONE 800.554.7267 | FAX 402.729.4058 | WEB www.pvifs.com