

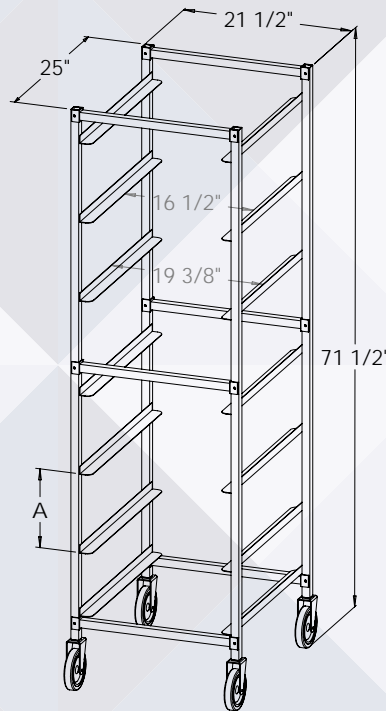
POLY BOX STORAGE RACKS



- ▶ Organize, store & transport foods
- ▶ 1" H x 1½" W aluminum slides; welded to frame
- ▶ Holds 18" x 26" or 18" x 13" poly food boxes manufactured by Cambro®, Carlisle®, Continental® or Rubbermaid®
- ▶ 5" Swivel stem casters (CV)
- ▶ All aluminum – WILL NOT RUST
- ▶ "KD" Knock Down rack; ships UPS in one box
- ▶ "W" All welded rack; reinforced gusset corners; ships LTL



WE70195KD-PB



Poly Box Storage Racks

Model Number	Description	Size W x H x D	Shelf Spacing	Pan Capacity
WE40195KD-PB	"KD" End Load	21½" x 71½" x 25"	4"	14
WE70195KD-PB	"KD" End Load	21½" x 71½" x 25"	7"	7
WE10195KD-PB	"KD" End Load	21½" x 71½" x 25"	10"	6
WE40195W-PB	All Welded End Load	21½" x 71½" x 25"	4"	14
WE70195W-PB	All Welded End Load	21½" x 71½" x 25"	7"	7
WE10195W-PB	All Welded End Load	21½" x 71½" x 25"	10"	6

Options: CL, CHV, CHL, PS – see page 82 for details



Prairie View Industries Food Service

PHONE 800.554.7267 | FAX 402.729.4058 | WEB www.pvifs.com