

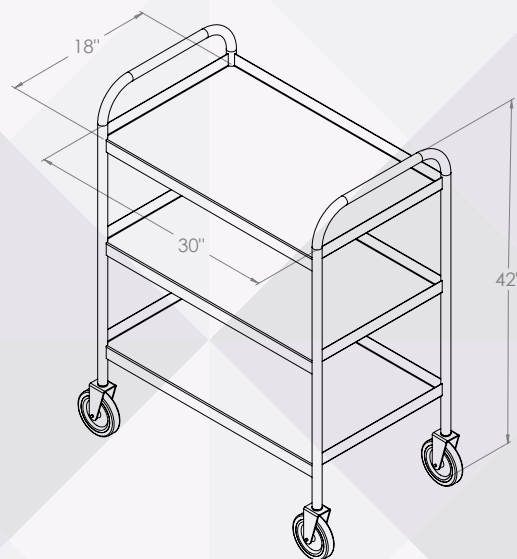
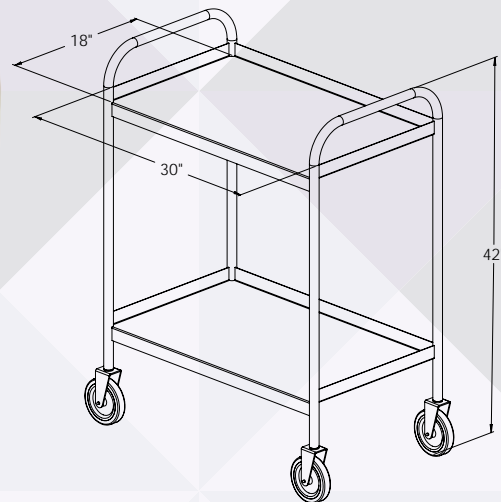
# STAINLESS STEEL UTILITY CARTS



- ▶ Built for years of service
- ▶ One-piece easy grip handle and legs
- ▶ All welded – 300 series stainless steel construction
- ▶ 16 Gauge Shelves; 1½" high splash guard on 3 sides
- ▶ 5" Swivel stem casters (CV)
- ▶ I.D. 18" x 30" shelves – top shelf at 36" height
- ▶ Ships LTL



UCSS1830-2



CARTS

Stainless Steel Utility Carts			
Model Number	Description	O.D. Size W x H x L	Weight (lbs)
UCSS1830-2	2 Shelves	19" x 42" x 31"	42
UCSS1830-3	3 Shelves	19" x 42" x 31"	42

Options: CL, CHV, CHL – see page 82 for details



**Prairie View Industries Food Service**

PHONE 800.554.7267 | FAX 402.729.4058 | WEB [www.pvifs.com](http://www.pvifs.com)