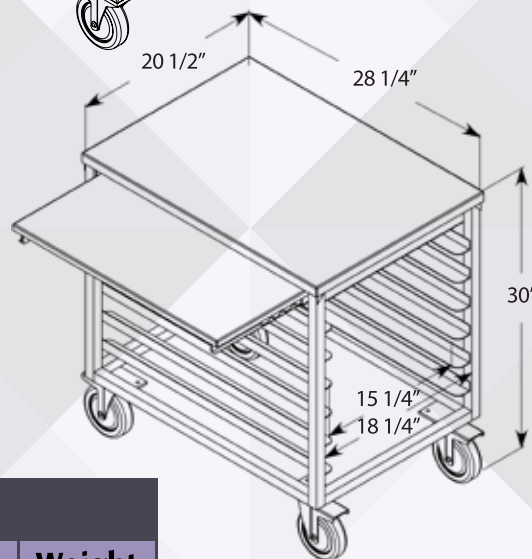
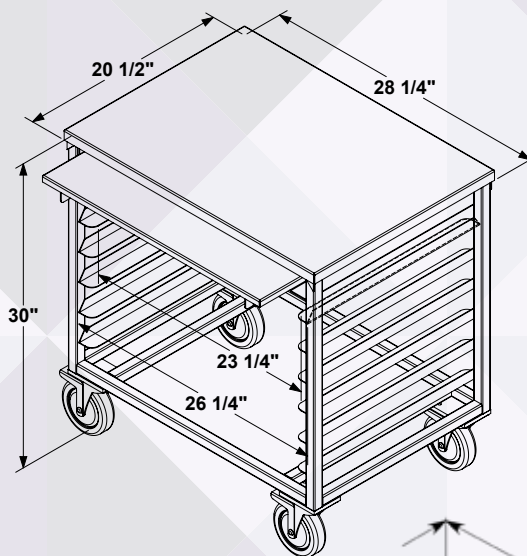


SLICER/MIXER/SCALE CART

- ▶ Designed with you in mind
- ▶ Easy clean & easy side load design
- ▶ 16 Gauge stainless steel – Removable top, pull out drawer slide extends up to 20" out from cart
- ▶ 1" H x 1½" W aluminum slides; welded to frame
- ▶ Holds two half size deli trays per slide or 18" x 26" full size sheet pans
- ▶ "Total locking swivel casters"; simultaneously locks the swivel & wheel making the unit stationary (CHTLPPG-5)
- ▶ All welded aluminum frame – WILL NOT RUST; no assembly required
- ▶ Holds up to 500 lbs. – evenly distributed static load; ships UPS



WS3026SC-7ST
 (Shown with slicer for demonstration purposes)
SLICER NOT INCLUDED



Slicer/Mixer/Scale Cart

Model Number	Description	Size W x H x D	Weight (lbs)
WS3026SC-7ST	Side Load	28¼" x 30" x 20½"	50
WE3018SC-7ST	End Load	20½" x 30" x 28¼"	50