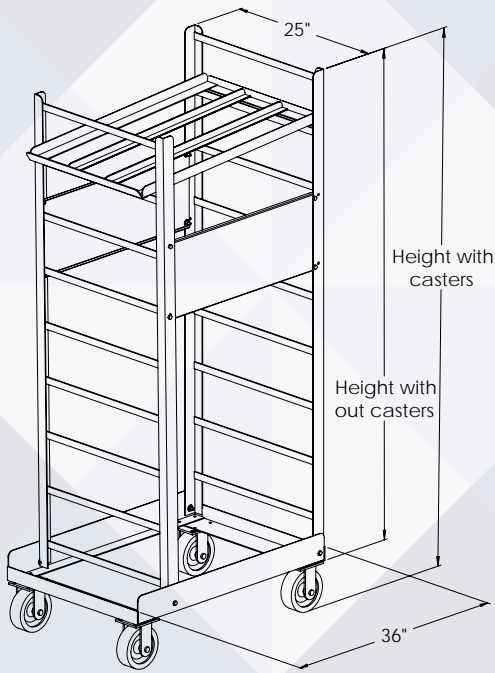


# FULL SIZE CAN RACKS



- ▶ Holds **6 #10 cans** or **8 #5 cans** per row; 3 rows per shelf
- ▶ Shelves remove for Easy Cleaning
- ▶ Aluminum frame – **WILL NOT RUST**
- ▶ Can be loaded from front or rear
- ▶ Self-feeding inclined can slides
- ▶ “KD” knock-down rack – ships UPS; easy assembly
- ▶ Optional caster base may be added at any time (CR000C)  
6” x 2” casters, 2 rigid (CDCR-6) and 2 swivel (CDCV-6)



CR1620C



CR1620

## Full Size Can Racks

Model Number	Size W x H x D	Capacity #10 Cans	Capacity #5 Cans	Casters	Weight (lbs)
CR1620	25" x 72" x 36"	162	216	None	79
CR162C	25" x 80" x 36"	162	216	2 Rigid, 2 Swivel	102

## Optional Caster Base

Model Number	Description
CR000C	Fits all PVI can racks, includes casters and all hardware



**Prairie View Industries Food Service**

PHONE 800.554.7267 | FAX 402.729.4058 | WEB [www.pvifs.com](http://www.pvifs.com)