

# HALF SIZE CAN RACKS

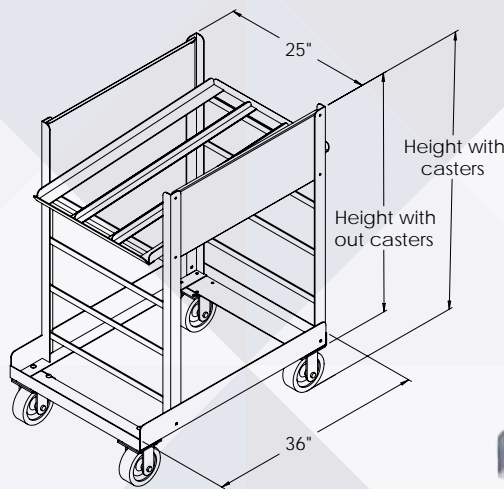


- ▶ Holds **6 #10 cans** or **8 #5 cans** per row; 3 rows per shelf
- ▶ Shelves remove for Easy Cleaning
- ▶ Aluminum frame – WILL NOT RUST
- ▶ Can be loaded from front or rear
- ▶ Self-feeding inclined can slides
- ▶ “KD” knock-down rack – ships UPS; easy assembly
- ▶ Optional caster base may be added at any time (CR000C)
  - 6” x 2” casters, 2 rigid (CDCR-6) and 2 swivel (CDCV-6)
- ▶ Optional tops available: poly, stainless, or aluminum



**CR054C-ST**

(shown with optional stainless top)



**CR0720**

Half Size Can Racks					
Model Number	Size W x H x D	Capacity #10 Cans	Capacity #5 Cans	Casters	Weight (lbs)
CR0540	25" x 32" x 36"	54	72	None	38
CR054C	25" x 40" x 36"	54	72	2 Rigid, 2 Swivel	62
CR054C-36	25" x 36" x 36"	54	72	2 Rigid, 2 Swivel	62
CR0720	25" x 40" x 36"	72	96	None	46
CR072C	25" x 48" x 36"	72	96	2 Rigid, 2 Swivel	71

Optional Caster Base	
Model Number	Description
CR000C	Fits all PVI can racks, includes casters and all hardware

**Options:** PT, ST, AT – see page 82 for details



**Prairie View Industries Food Service**

PHONE 800.554.7267 | FAX 402.729.4058 | WEB [www.pvifs.com](http://www.pvifs.com)