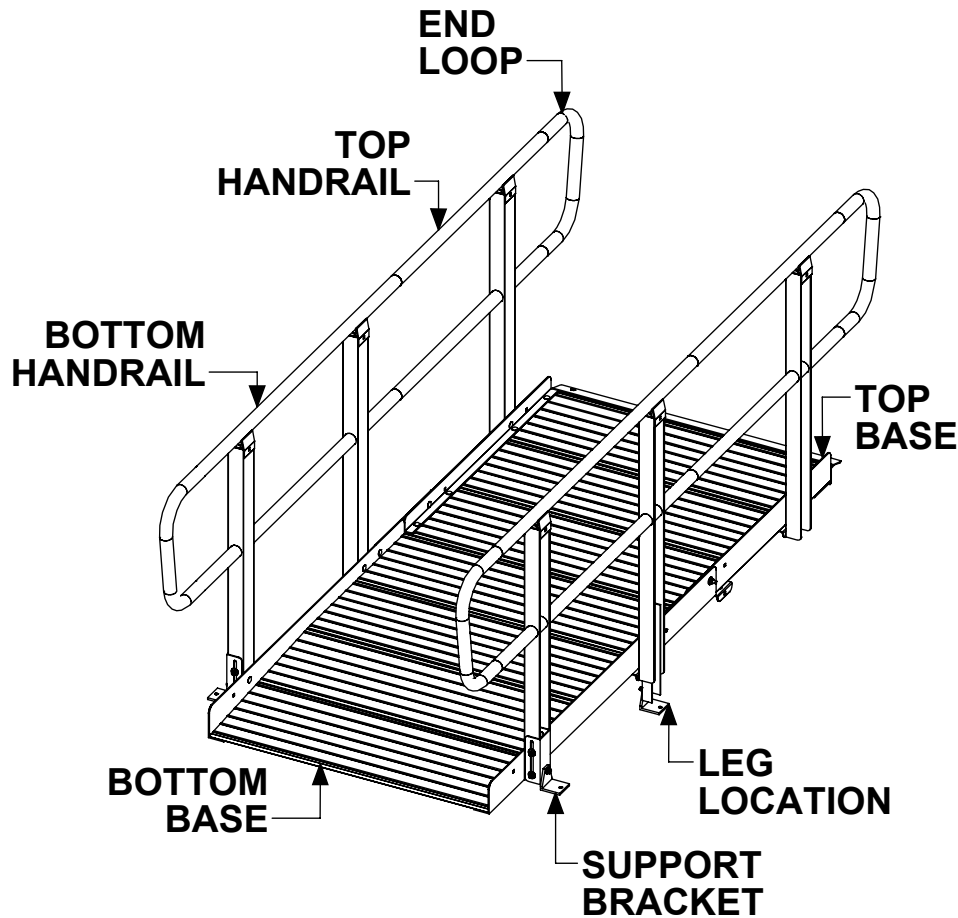


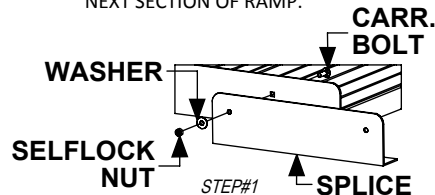
# OnTrac Double Section Assembly



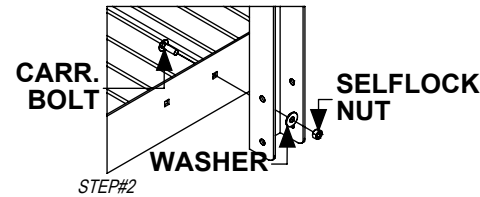
## TOOLS REQUIRED:

- CORDLESS DRILL
- #2 PHILLIPS BIT
- 5/32 ALLEN WRENCH
- RACHET
- 1/2" DEEP WELL SOCKET
- 1/2" WRENCH
- 1/4" MASONRY BIT
- TAPE MEASURE

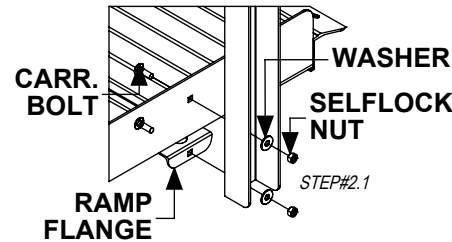
**STEP#1: SPLICE TOP & BOTTOM BASES,**  
PLACE RAMP SPLICE OVER RAMP FRAME  
ALIGN HOLES, RUN CARR. BOLT THROUGH  
RAMP FRAME AND SPLICE, FASTEN ON  
OUTSIDE EDGE WITH A WASHER AND  
SELFLOCK NUT. REPEAT PROCESS WITH  
NEXT SECTION OF RAMP.



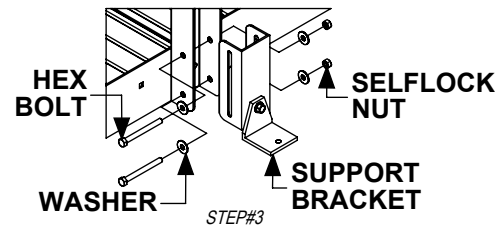
**STEP#2: ATTACH HANDRAIL**  
AT THE BOTTOM END OF RAMP  
RUN CARR. BOLT THROUGH RAMP  
FRAME AND POST CHANNEL, FASTEN  
WITH A FLAT WASHER AND SELFLOCK  
NUT, LEAVING HARDWARE LOOSE  
ENOUGH TO POSITION HANDRAIL  
FOR STEP#2.1.



**STEP#2.1: ATTACH HANDRAIL**  
AT TOP END OF RAMP, RUN CARR.  
BOLT THROUGH THE RAMP FLANGE AND  
HANDRAIL POST FASTEN WITH WASHER  
AND SELFLOCK NUT. RUN A CARR. BOLT  
THROUGH THE FRAME OF THE RAMP AND  
THE HANDRAIL CHANNEL AND FASTEN WITH  
WASHER AND SELFLOCK NUT. ATTACH POST  
(MIDDLE OF RAMP) USING JAM NUT INSTEAD  
OF SELFLOCK NUT.  
**NOTE: DOWNWARD PRESSURE ON THE  
HANDRAIL POST MAY BE NEEDED TO LINE UP  
THE HOLE IN THE FRAME AND HOLE IN THE  
RAMP POST**

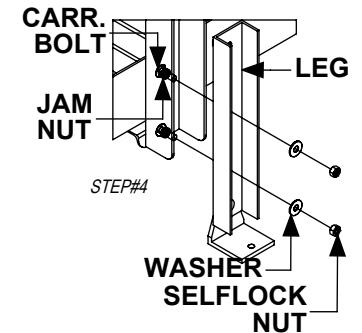


**STEP#3: ATTACH SUPPORT BRACKETS**  
ATTACH SUPPORT BRACKETS AT BOTTOM  
OF RAMP, SLIP SUPPORT BRACKET CHANNEL  
OVER THE POST CHANNEL RUN HEX BOLT  
THROUGH SLOTTED HOLES OF THE SUPPORT  
BRACKET AND ROUND HOLES OF THE  
HANDRAIL POST WITH A WASHER ON BOTH  
SIDES FASTEN WITH SELFLOCK NUT.



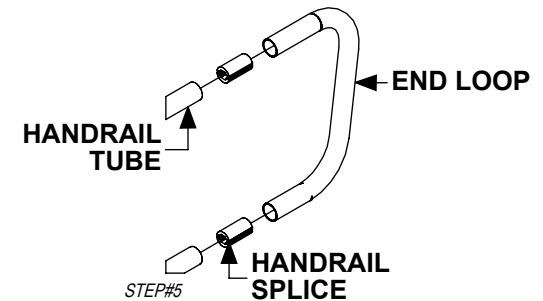
## STEP#4: ATTACH LEGS

ATTACH RAMP LEGS AT MIDDLE POST  
LOCATION OF RAMP (POST ATTACHED WITH  
JAM NUTS), PLACE LEG CHANNEL INSIDE OF  
THE POST CHANNEL WITH ALREADY INSTALLED  
CARR. BOLTS COMING THROUGH THE SLOT IN  
THE LEG CHANNEL, FASTEN WITH A WASHER AND  
SELFLOCK NUT, DO NOT TIGHTEN ALL OF THE WAY  
UNTIL RAMP HEIGHT HAS BEEN SET.



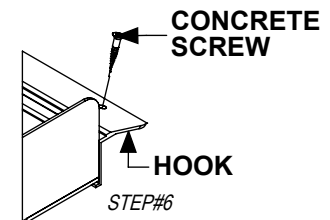
## STEP#5: ATTACH END LOOPS

ATTACH END LOOPS USING HANDRAIL  
SPLICE, SLIDE HANDRAIL SPLICE IN THE TOP  
& BOTTOM HANDRAIL TUBES WITH THE SET  
SCREW ALIGNED WITH THE NOTCH IN THE  
HANDRAIL TUBE, SLIDE END LOOP OVER  
THE HANDRAIL SPLICE AND TIGHTEN SET  
SCREW. **NOTE: USE SAME METHOD TO SPLICE  
HANDRAIL IN MIDDLE OF RAMP.**



## STEP#6: ANCHOR RAMP DOWN,

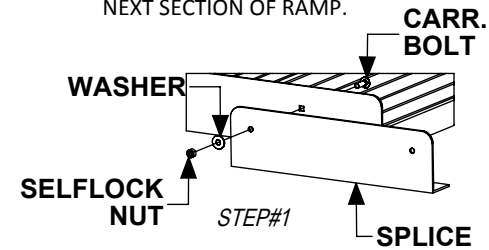
WITH RAMP POSITIONED IN ITS FINAL RESTING  
PLACE, ANCHOR RAMP TO GROUND USING THE  
SUPPLIED CONCRETE SCREWS AND PRE-DRILLED  
HOLES IN THE RAMP HOOK. ANCHOR AT BOTTOM  
END OF RAMP USING THE HOLE IN THE SUPPORT  
BRACKET FOOT, USING SCREWS OR LAG BOLTS  
INTO THE EXISTING CONCRETE, HARDWARE FOR  
ANCHORING AT BOTTOM OF RAMP NOT SUPPLIED.



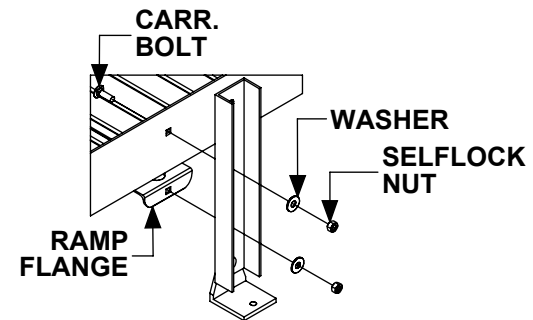
# OnTrac Double Section Assembly

*(without handrail)*

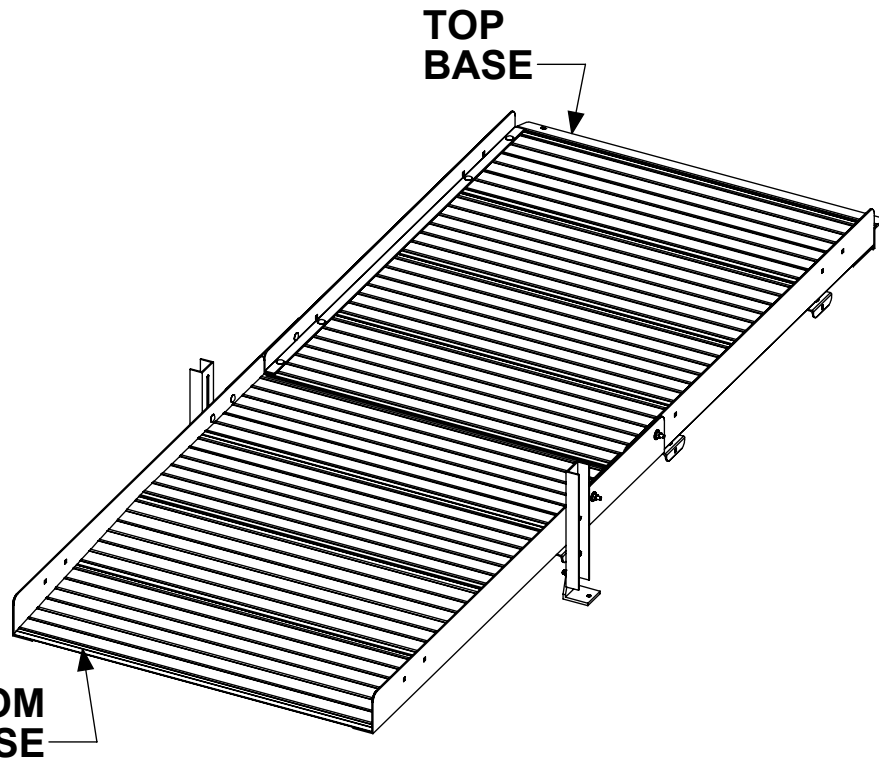
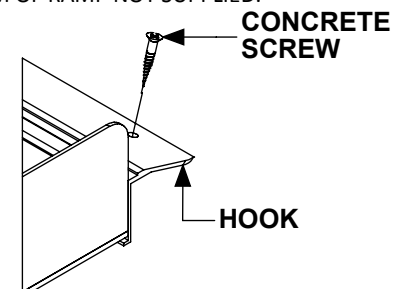
**STEP#1: SPLICE TOP & BOTTOM BASES,**  
PLACE RAMP SPLICE OVER RAMP FRAME  
ALIGN HOLES, RUN CARR. BOLT THROUGH  
RAMP FRAME AND SPLICE, FASTEN ON  
OUTSIDE EDGE WITH A WASHER AND  
SELFLOCK NUT. REPEAT PROCESS WITH  
NEXT SECTION OF RAMP.



**STEP#2: ATTACH LEG**  
ATTACH LEGS AT THE TOP LOCATION ON THE  
BOTTOM BASE OF RAMP. RUN CARR. BOLT  
THROUGH RAMP FRAME AND SLOTTED  
HOLE IN THE LEG FASTEN WITH WASHER  
AND SELFLOCK NUT. REPEAT PROCESS WITH  
THE HOLE IN THE RAMP FLANGE. SET LEG  
HEIGHT AND TIGHTEN HARDWARE DOWN.



**STEP#3: ANCHOR RAMP DOWN,**  
WITH RAMP POSITIONED IN ITS FINAL RESTING  
PLACE, ANCHOR RAMP TO GROUND USING THE  
SUPPLIED CONCRETE SCREWS AND PRE-DRILLED  
HOLES IN THE RAMP HOOK. ANCHOR AT BOTTOM  
END OF RAMP USING THE HOLE IN THE LEG FOOT,  
USING SCREWS OR LAG BOLTS INTO THE EXISTING  
CONCRETE, HARDWARE FOR ANCHORING AT  
BOTTOM OF RAMP NOT SUPPLIED.



**TOOLS REQUIRED:**

- CORDLESS DRILL
- #2 PHILLIPS BIT
- RACHET
- ½" DEEP WELL SOCKET
- ½" WRENCH
- ¼" MASONRY BIT
- TAPE MEASURE